



www.santos.fr



Automatic Citrus Juicer With Lever # 10

The genuine commercial
citrus juicer since 1954

For all citrus fruits : Lemons,
Oranges, Grapefruits.

Ideal for hotels, bars, restaurants.



10C (Chromed model)



Removable
perforated strainer
for centrifugal
squeezing.

Internationally Patented Models



Automatic Citrus



Since 1954

The real commercial juicer, **built to last**, with a heavy duty and quiet asynchronous motor, for use everywhere you need a fresh squeezed citrus juice: Juice Bars, Health Food Stores, Hotels, Bars, Restaurants, Cafeterias, Ice Cream shops, Institutions, Hospitals and even... at Home.

High output : just cut your citrus half and press. You will extract easily from 20 to 40 litres per hour (5 to 10 gallons).

Removable perforated strainer
stainless steel



Stainless steel cup

Stainless steel bowl

Wide spout accepting all types of glasses.
Height of the spout : 135mm (5")



Removable drip tray.

Articulated lever

Stainless steel deflector
protects from any juice
ejection

Special clutch system
when you press.
Instant start and stop.

Heavy duty and quiet
asynchronous motor.
High speed.

Chromed or painted (grey).
motor base



Juicer With Lever # 10

Easy to use - Easy to clean - Completely safe

The unique juicer that you can clean **quickly and easily**, just wash the removable perforated strainer in a simple movement. (NSF approved)

One Removable perforated strainer with centrifugal action and maximum filtration of pulp. For lemons, oranges, grapefruits. Stainless steel 18/10



Technical specifications

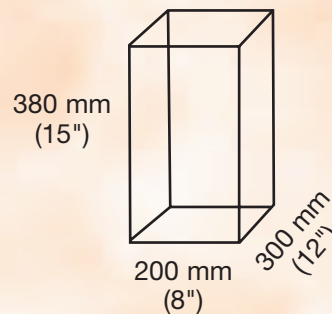
Motor :

Single phase : 100-120V - 50/60 Hz - 260 W
220-240V - 50/60 Hz - 230 W

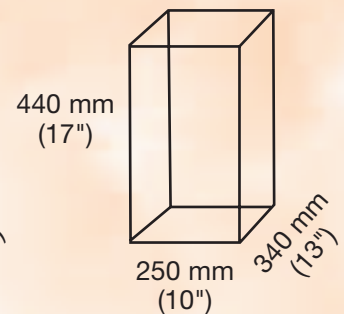
Speed : 1500 RPM (50 Hz)
1800 RPM (60 Hz)

Weight : Net 9,5 Kg
Packed 10,3 Kg

Appliance :



Shipping box :



Safety - Standards - Hygiene

This Juicer has been designed to comply with the most severe international safety and hygiene regulations in conformity with the standards, especially :

- ◆ Machinery directive 98/37/EC
- ◆ Electromagnetic compatibility 89/336/EEC
- ◆ Electrical equipment designed for use within certain voltage limits "low voltage" 73/23/ECC
- ◆ RoHS directive 2002/95/EC
- ◆ Harmonized European standards
EN 12100 - 1 and 2 : 2004 EN 60204 - 1 : 2006
EN 60335 - 1 : 2002
- ◆ CE European standards
- ◆ GS (Germany) controlled by LNE laboratory
- ◆ UL (USA & Canada)
- ◆ NSF (USA)

Electrical safety

- On/Off interlock switch is waterproof
- All mechanical parts are ground (earth) connected
- All equipment is perfectly controlled after assembly (special electrical testing bay)

Thermal safety

Motor protected by internal thermal detector.

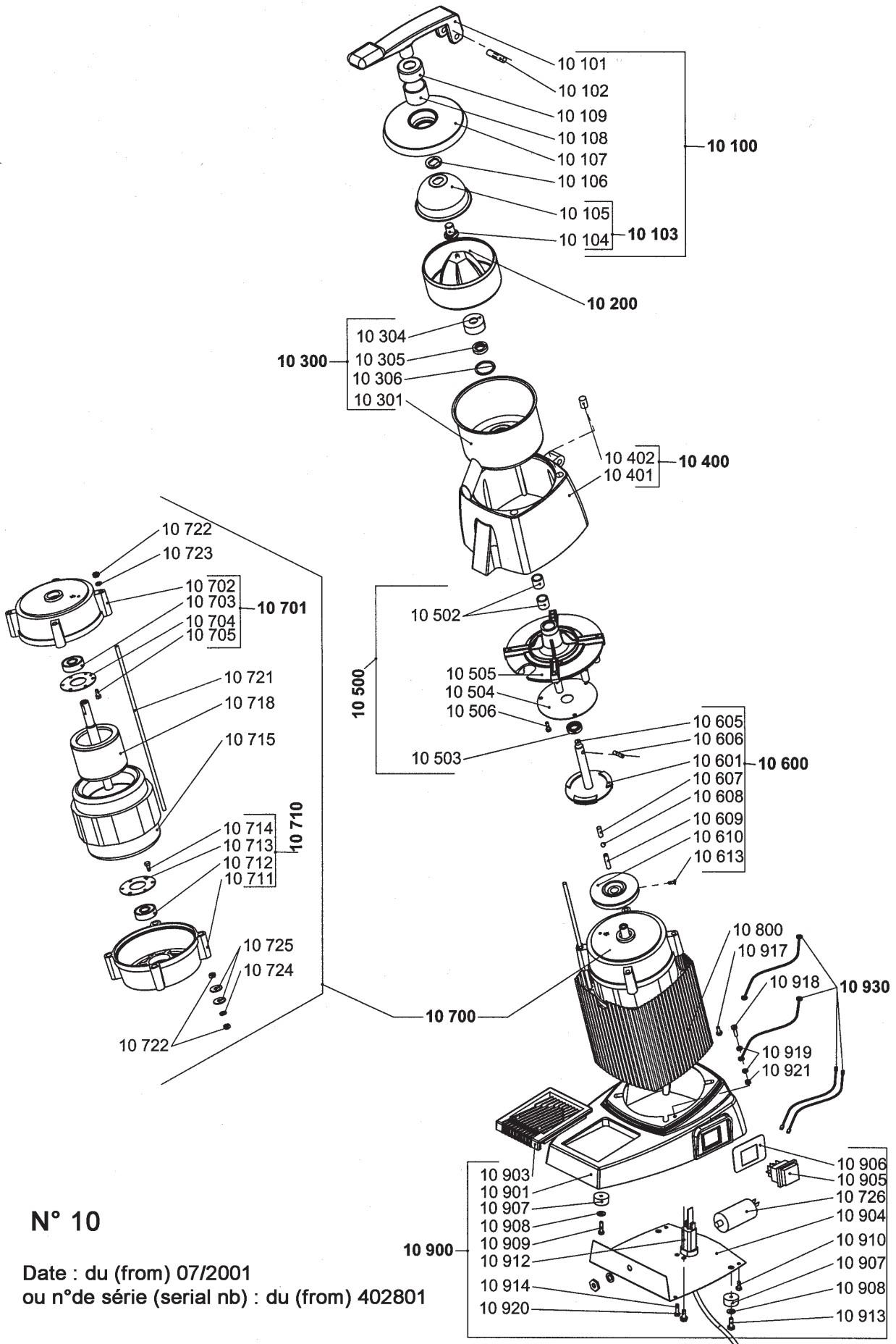
Acoustic safety

The asynchronous motor with clutch system is particularly silent

Hygiene

All removable parts can be put in a dishwasher or easily cleaned with hot soapy water (NSF approved).

Automatic Citrus Juicer With Lever # 10



N° 10

Date : du (from) 07/2001
 ou n°de série (serial nb) : du (from) 402801