



Machine Technical Specifications

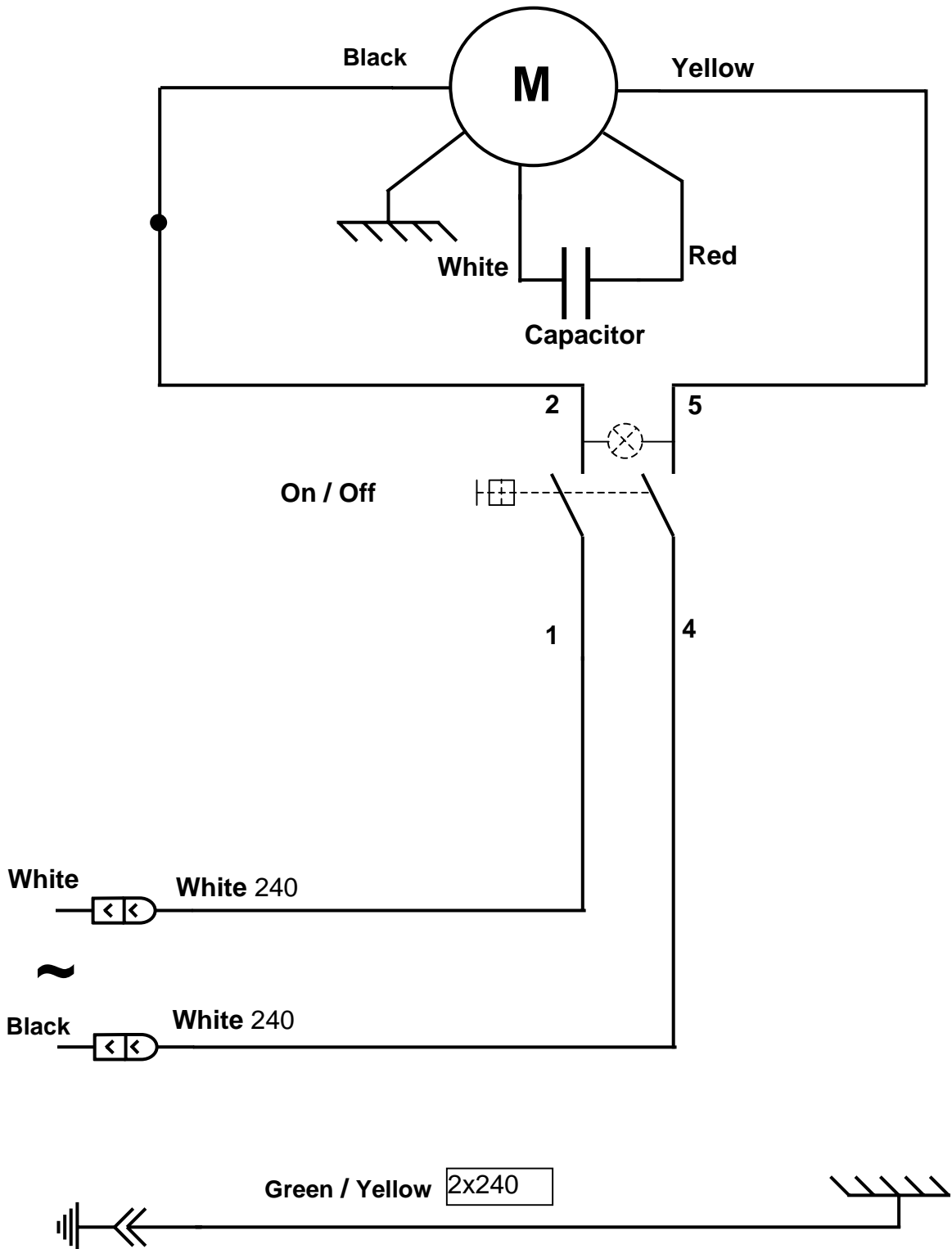
ELECTRICAL SPECIFICATIONS (1)			
Model n° 10		Single phase	
Power supply voltage	(V)	220-240	110-120
Frequency	(Hz)	50/60	50/60
Motor Nominal			
Input power	(W)	230	260
Speed	(rpm)	1450	1700
Permanent capacitor	(mfd)	4 mfd - 400V	
Height of spout	(mm)	135	
Dimensions: Height	(mm)	380	
Width	(mm)	200	
Depth	(mm)	300	
Weight: Net weight	(kg)	9.2	
Packaged weight	(kg)	10.3	
Noise: (2)	(dBA)	70	

(1) These ratings are given for your guidance. The exact electrical specifications of your appliance can be found on the rating plate.

(2) Noise level measured in sound pressure appliance in operation 1 m from its axis in accordance with standard EN 31201.

MARK	Description
1	Pressure lever
2	Cone
3	Pressing cup
4	Splash guard
5	Juice container
6	On / Off switch
7	Motor unit
8	Glass holder
9	Pin

110-120V 50/60Hz wiring diagram



220-240V 50/60Hz wiring diagram

